

ELEVECTURE Edge Lit Panels - Fixture Series

Product Data Sheet



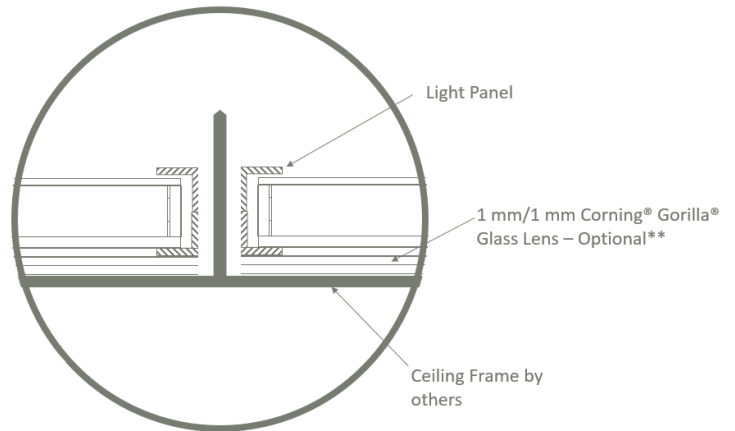
Description:

The ultra thin Edge Lit Fixture Series is an Interior lighting system integrated with custom LED strips. Our panels are high performance lighting fixtures suitable for architectural interior applications. They offer high luminous efficiency and are designed for ease of installation and wiring. Our complete panels are engineered to provide even light distribution with thermal heat management for long lasting operation. Elevecture can provide edge lighting options to be used as general lighting or as a light source for graphics. Our Edge Lit Lighting System is for dry, interior use. Fixture frames are constructed of light weight anodized aluminum.

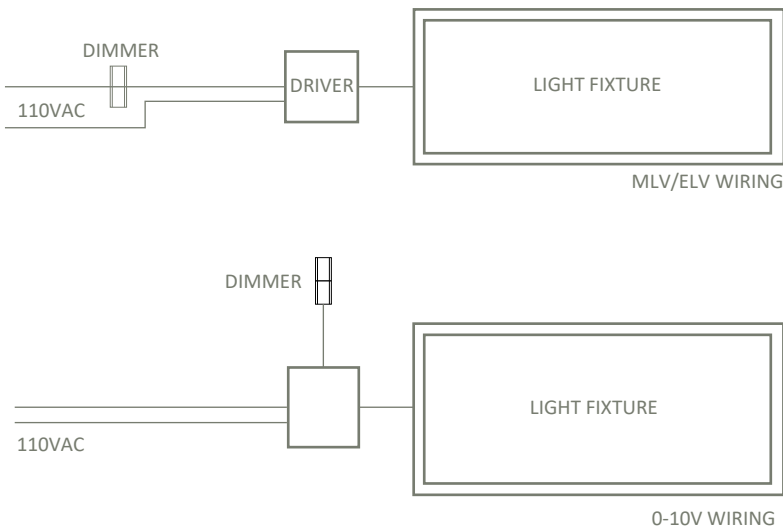
Installation: Aircraft cables suspension or drop directly into ceiling frames

We offer sleek aircraft cables in conjunction with concealed clips and fasteners to create a smooth monolithic appearance.

Edge Lit panels can be dropped directly into a ceiling frame to create a grid of even light illumination.



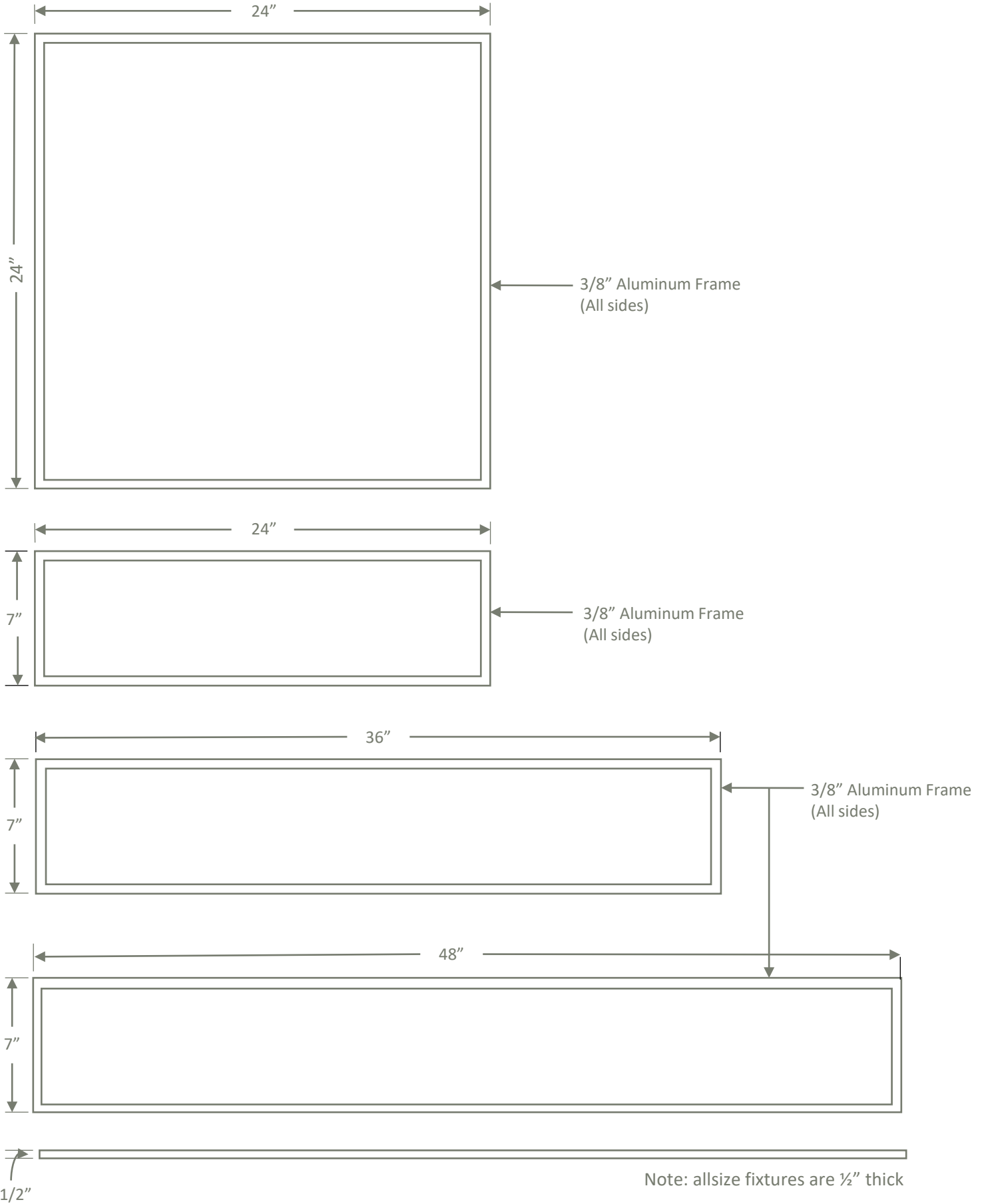
Wiring Diagram:



Specification:

Specification	
Fixture Input	12VDC
Efficiency	70+Lm/W
LED Color Options	3000K Warm White 3500K Warm White 4000K Cool White
Dimmable	Yes- 0-10V – Magnetic/
Power Pack	UL Listed – Dimmer Included
Power Pack Option	Battery Backup / Alarm Bell
Certifications: ANSI Z97.1, ASTM E84, CSA, RoHS, FCC	

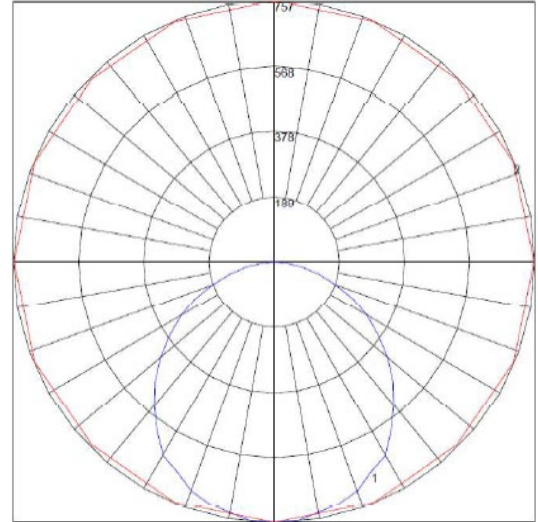
Standard Panel Dimensions:



Testing Information

Description	
Dimension	26.25" X 26.5"
LED Voltage	24VDC
Total Lumens	2110.87
Input Current	1.01 A
Input Power	24.15W
Efficacy	87
Ambient Temp (C)	25.0
Report No: L081503401 08/17/2015 NVLAP LAB CODE 200927-0	

IES Indoor Report
Photometric Filename: L081503401.IES
POLAR GRAPH



Maximum Candela = 756.87 Located At Horizontal Angle= 9,0, Vertical Angle= 5
#1 - Vertical Plane Through Horizontal Angles (90 - 270) (Through Max. Cd.)
#2 - Horizontal Cone Through Vertical Angle (5) (Through Max. Cd.)

Characteristics

Lumens Per Lamp	N.A. (absolute)
Total Lamp Lumens	N.A. (absolute)
Luminaire Lumens	2111
Total Luminaire Efficiency	N.A.
Luminaire Efficacy Rating (LER)	87
Total Luminaire Watts	24.15
Ballast Factor	1.00
CIE Type	Direct
Spacing Criterion (0-180)	1.26
Spacing Criterion (90-270)	1.26
Spacing Criterion (Diagonal)	1.38
Basic Luminous Shape	Rectangular
Luminous Length (0-180)	2.15 ft
Luminous Width (90-270)	2.13 ft
Luminous Height	0.00 ft

Luminance Data (cd/sq.m)

Angle in Degrees	Average 0-Deg	Average 45-Deg	Average 90-Deg
45	1632	1640	1624
55	1527	1524	1513
65	1414	1417	1409
75	1235	1231	1228
85	1010	989	975

Warranty Information:

Limited Warranty: Elevecture LLC warrants that any illuminated product sold by Elevecture to be free from defects in material workmanship for a period of three (3) years from the "Original Ship Date" by the "Original Purchaser". The Original Purchaser is designated as the person, firm or entity responsible for payment to Elevecture as indicated on the invoice supplied to the Original Purchaser from Elevecture. During the warranty period, if the product fails to perform as intended by Elevecture, Elevecture's entire liability will be the repair of the defective product(s). If it is deemed by Elevecture that the product is irreparable then a replacement will be provided. Elevecture will not be responsible for any incurred costs as a result of shipping defective products(s) to Elevecture for repair or replacement. The above warranty does not apply to, and Elevecture makes no warranties with respect to products which have been subjected to misuse, neglect, accident, abuse, or operating in any conditions that deviate from the parameters established in applicable specifications; or have been improperly installed, stored, maintained, repaired or altered by anyone other than Elevecture. This warranty does not apply to fixtures which were damaged by water or any other liquids. This warranty is given only to the Original Purchaser and may not be assigned or transferred to any other party. It is the Original Purchaser's obligation to retain documentation that indicates the Original Purchase Date.

Note: The information provided in this Data Sheet is accurate to the best of Elevecture's knowledge at the time of printing. Elevecture reserves the right to make changes when necessary without further notification. Suggested applications may be modified to conform to local building codes and conditions. We cannot accept responsibility for products that are not used or installed to our specifications.

