

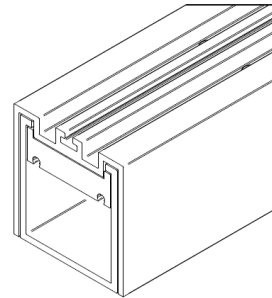
# ELEVECTURE Linear Lighting Fixtures 1.5 Series

## Product Data Sheet



### Description:

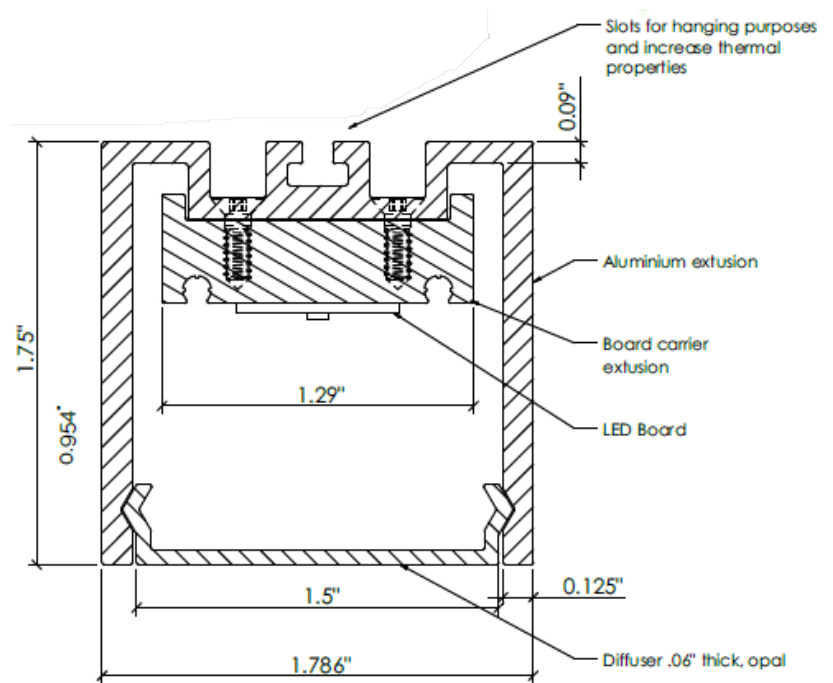
Eleverture's Slim Strip 1.5 Series is an interior lighting system integrated with custom LED strips. Our high-performance lighting fixtures are suitable for all interior architectural applications. The fixtures offer high luminous efficiency, and the system is designed for easy installation and wiring. Our complete fixture packages are engineered to provide even light distribution with thermal heat management for long lasting operation.



Section Profile

### Features:

- 12 VDC Input
- High CRI>82+
- Consumption: 4W/ft
- Light Output: 270 lm/ft
- 120 Beam angle
- Balanced LED Light Distribution
- Multiple LED color options
- Operating temp -40~122F
- Average Life: 50K Hours
- Warranty: 3 Years
- Certification: RoHS FCC
- Light weight aluminum housing
- Integrated mounting system
- Thermal control and management
- Optional diffuser
- Optional Emergency Lighting
- Dimmable



Maximum Standard Length: 8'-0"

Please consult Eleverture for custom fixture length greater than 8'-0"

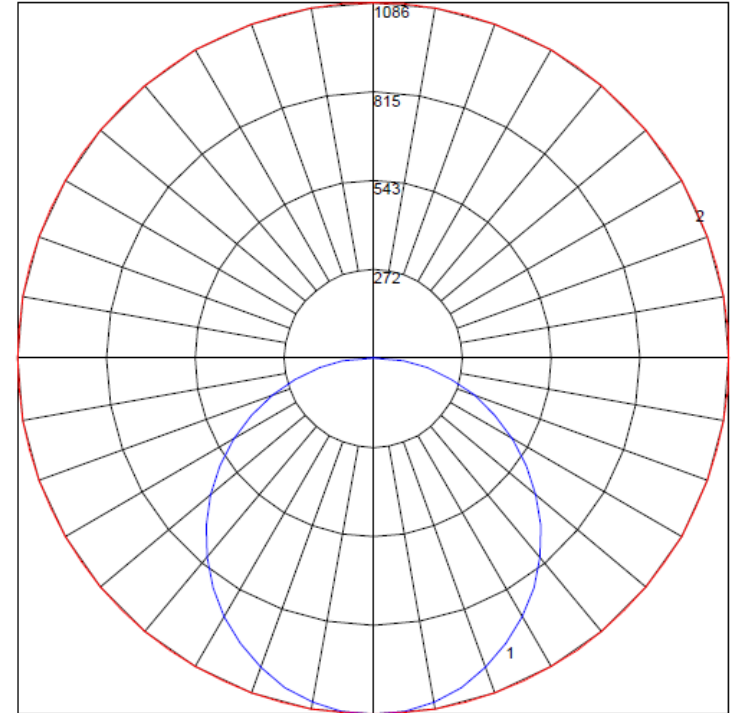
Diffuser snaps into the front of the fixture for easy maintenance.

# ELEVECTURE Linear Lighting Fixtures 1.5 Series

## Product Data Sheet

Test Summary	
Manufacturer	Elevecture
Model Number	ELS-FX-1.5-3500
Driver Model Number	INVENTRONICS EUC-052S105DT
Total Lumens	3206.16
Input Voltage (VAC/60Hz)	120.00
Input Current (Amp)	0.47
Input Power (W)	56.16
Input Power Factor	0.99
Current ATHD @ 120V(%)	7%
Current ATHD @ 277V(%)	N/A
Efficacy	57
Ambient Temperature (oC)	25.0
Stabilization Time (Hours)	0:30
Total Operating Time (Hours)	1:20
Off State Power(W)	0.00

IES Indoor Report  
Photometric Filename: L101504801.IES  
POLAR GRAPH



Maximum Candela = 1086 Located At Horizontal Angle = 0, Vertical Angle = 0  
 # 1 - Vertical Plane Through Horizontal Angles (0 - 180) (Through Max. Cd.)  
 # 2 - Horizontal Cone Through Vertical Angle (0) (Through Max. Cd.)

DESCRIPTION INFORMATION (From Photometric File)

IESNA:LM-63-2002  
 [TEST] L101602801  
 [TESTLAB] LIGHT LABORATORY, INC.  
 [ISSUEDATE] 11/2/2016  
 [MANUFAC] ELEVECTURE  
 [LUMCAT] ELS-FX-1.5-3500  
 [LUMINAIRE] LINEAR LED FIXTURE  
 [BALLASTCAT] INVENTRONICS EUC-052S105DT  
 [LAMPPOSITION] 0,0  
 [LAMP CAT] N/A  
 [OTHER] INDICATING THE CANDELA VALUES ARE ABSOLUTE AND [MORE] SHOULD NOT BE FACTORED FOR DIFFERENT LAMP RATINGS.  
 [INPUT] 120VAC, 56.16W  
 [TEST PROCEDURE] IESNA:LM-79-08

CHARACTERISTICS	
Lumens Per Lamp	N.A. (absolute)
Total Lamp Lumens	N.A. (absolute)
Luminaire Lumens	3206
Total Luminaire Efficiency	N.A.
Luminaire Efficacy Rating (LER)	57
Total Luminaire Watts	56.16
Ballast Factor	1.00
CIE Type	Direct
Spacing Criterion (0-180)	1.26
Spacing Criterion (90-270)	1.28
Spacing Criterion (Diagonal)	1.38
Basic Luminous Shape	Rectangular
Luminous Length (0-180)	0.13 ft
Luminous Width (90-270)	3.75 ft
Luminous Height	0.00 ft

LUMINANCE DATA (cd/sq.m)			
Angle In	Average	Average	Average
Degrees	0-Deg	45-Deg	90-Deg
45	22524	22555	23023
55	21960	21960	22460
65	21401	21244	21714
75	20967	20540	20711
85	23538	22526	22020

### Order Form

Company Name: \_\_\_\_\_

Project Reference: \_\_\_\_\_

Project Location: \_\_\_\_\_

Date: \_\_\_\_\_ Contact Email: \_\_\_\_\_

#### Color Temperature:

3000K

3500K

4000K

#### Fixture Length:

Length of fixture: \_\_\_\_\_ inches      Quantity: \_\_\_\_\_

Length of fixture: \_\_\_\_\_ inches      Quantity: \_\_\_\_\_

Length of fixture: \_\_\_\_\_ inches      Quantity: \_\_\_\_\_

Length of fixture: \_\_\_\_\_ inches      Quantity: \_\_\_\_\_

Length of fixture: \_\_\_\_\_ inches      Quantity: \_\_\_\_\_

Length of fixture: \_\_\_\_\_ inches      Quantity: \_\_\_\_\_

Length of fixture: \_\_\_\_\_ inches      Quantity: \_\_\_\_\_

**Power Module**

**Emergency Module**

#### Warranty Information:

Limited Warranty: Elevecture LLC warrants that any illuminated product sold by Elevecture to be free from defects in material workmanship for a period of three (3) years from the "Original Ship Date" by the "Original Purchaser". The Original Purchaser is designated as the person, firm or entity responsible for payment to Elevecture as indicated on the invoice supplied to the Original Purchaser from Elevecture. During the warranty period, if the product fails to perform as intended by Elevecture, Elevecture's entire liability will be the repair of the defective product(s). If it is deemed by Elevecture that the product is irreparable then a replacement will be provided. Elevecture will not be responsible for any incurred costs as a result of shipping defective products(s) to Elevecture for repair or replacement. The above warranty does not apply to, and Elevecture makes no warranties with respect to products which have been subjected to misuse, neglect, accident, abuse, or operating in any conditions that deviate from the parameters established in applicable specifications; or have been improperly installed, stored, maintained, repaired or altered by anyone other than Elevecture. This warranty does not apply to fixtures which were damaged by water or any other liquids. This warranty is given only to the Original Purchaser and may not be assigned or transferred to any other party. It is the Original Purchaser's obligation to retain documentation that indicates the Original Purchase Date.

Note: The information provided in this Data Sheet is accurate to the best of Elevecture's knowledge at the time of printing. Elevecture reserves the right to make changes when necessary without further notification. Suggested applications may be modified to conform to local building codes and conditions. We cannot accept responsibility for products that are not used or installed to our specifications.