

# ELEVECTURE Edge Lit Panels- Elevator Ceiling Series

## Product Data Sheet

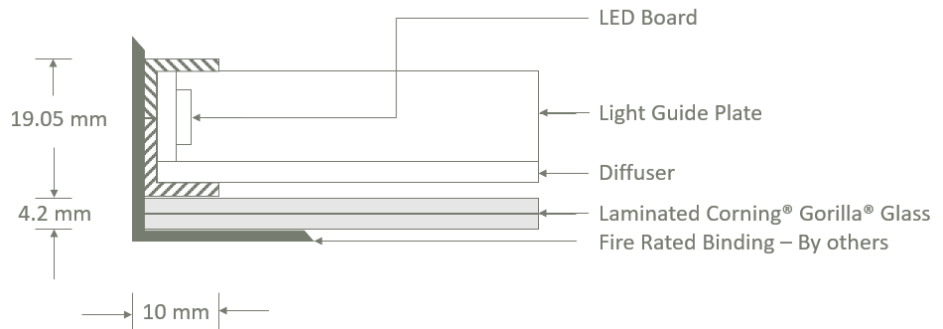


### Description:

The ultra-thin Edge Lit Elevator Ceiling Series is an interior lighting system integrated with custom LED strips. The panels use high performance lighting fixtures suitable for elevator and other architectural applications. The panels offer high luminous efficiency, and the system is designed for easy installation and wiring. Our complete panels are engineered to provide even light distribution with thermal heat management for long lasting operation. Elevecture can provide lighting options to be used as general lighting or as a light source for ceiling graphics.

### PANEL DIMENSIONS

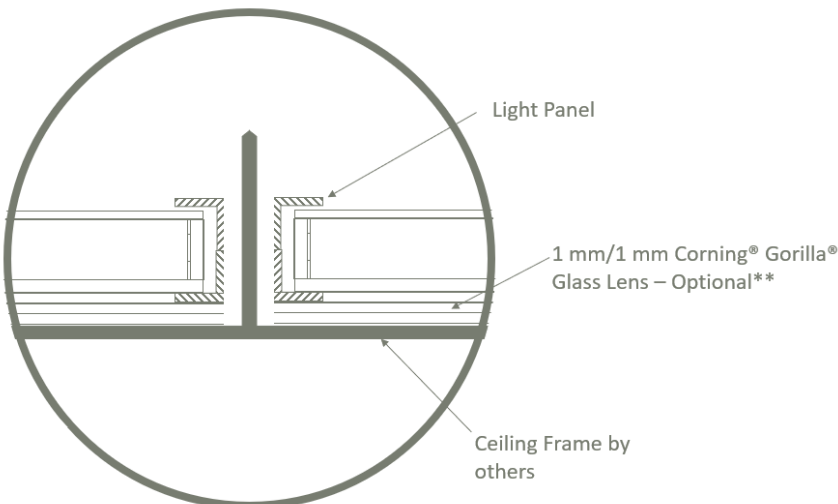
### PANEL SECTION PROFILE



- Maximum ceiling dimensions: 79" X 30" with Corning® Gorilla® Glass Lens - Other Dimensions Available
- Weight of Light Panels: Approx. 1lb sq/ft
- Weight of Light Panels W. Corning® Gorilla® Glass Lens: Est 2.2lb sq/ft
- \*\* All elevator light panels must include Corning® Gorilla® Glass for ASTM E84 Fire Rating

### Construction and Finishes:

Our Edge Lit Lighting System is recommended for dry, interior use. The use of Corning® Gorilla® Glass in conjunction with concealed clips and fasteners creates a smooth monolithic appearance. Decorating options include vibrant graphics and solid colors utilizing inkjet capabilities on the number two surface of the glass. Edge lit light panels can also be used to illuminate materials such as stone.



Edge Lit Panels with Corning® Gorilla® Glass can be dropped into an elevator ceiling frame to create a grid of even light illumination

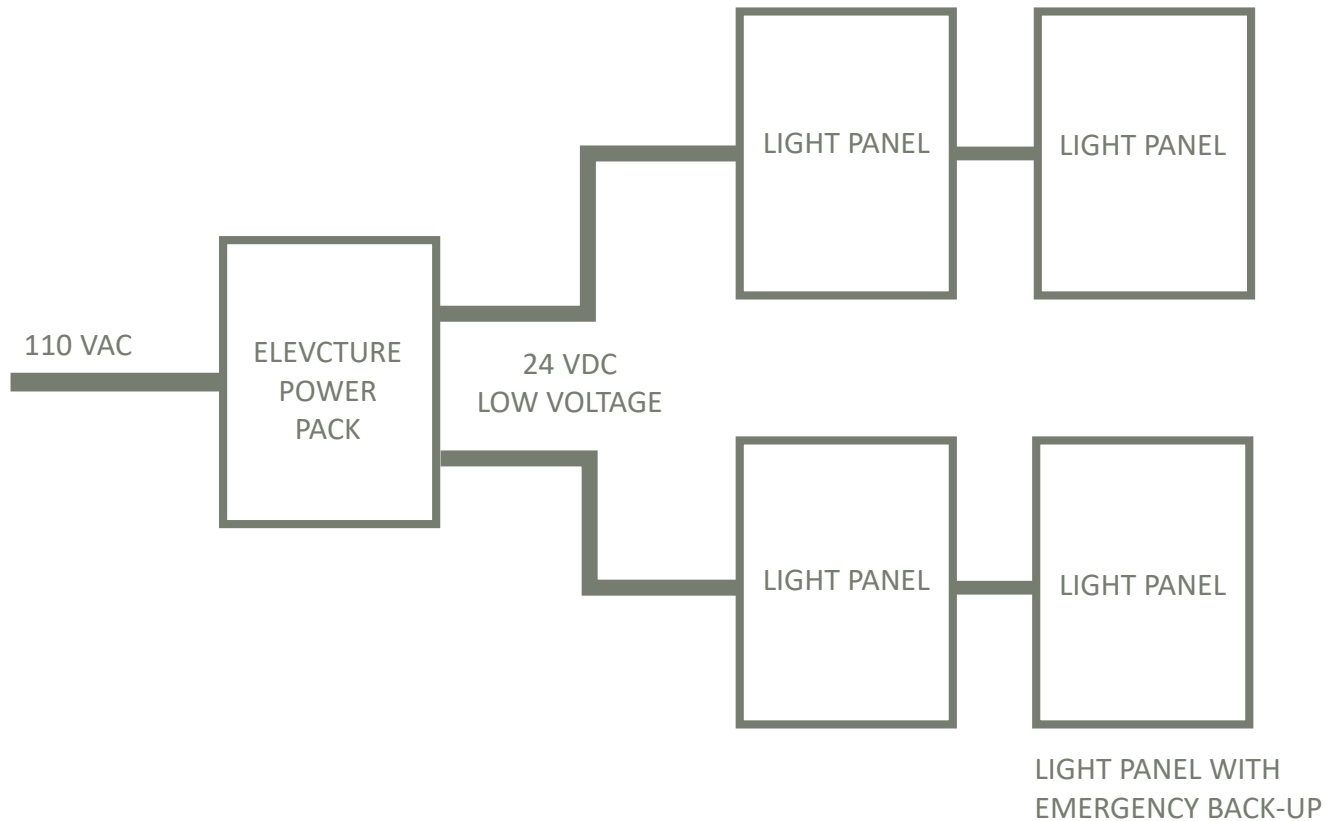
### Benefits:

- Fire Rated for use in elevator application (ASTM E84)
- Ultra-thin and light weight
- Panels are removable from inside cab for maintenance and easily removable for emergency situations.
- Uniformity of light throughout panel
- Panels are damage resistant using Corning® Gorilla® Glass Lens

## SPECIFICATIONS

Description	
LED Voltage	12 VDC
Efficiency	70+Lm/W
LED Color Option	3000K Warm White 3500K Warm White 4000K Cool White RGB Color
Dimmable	Yes
Power Pack	UL Listed- Dimmer Included
Power Pack Option	Battery Backup/Alarm Bell
Certifications	ANSI Z97.1, ASTM E84, CSA, RoHS, FCC

## TYPICAL WIRING DIAGRAM



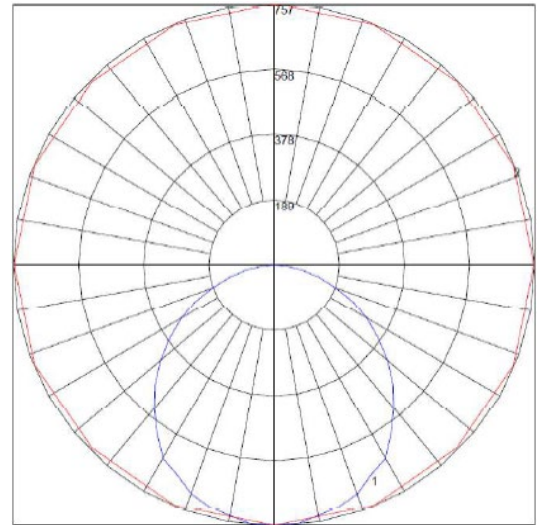
# ELEVECTURE

## Edge Lit Panels- Elevator Ceiling Series Product Data Sheet

### TESTING INFORMATION

Description	
Dimension	26.25" X 26.5"
LED Voltage	24VDC
Total Lumens	2110.87
Input Current	1.01 A
Input Power	24.15W
Efficacy	87
Ambient Temp ( C )	25.0
Report No: L081503401 08/17/2015 NVLAP LAB CODE 200927-0	

IES Indoor Report  
Photometric Filename: L081503401.IES  
POLAR GRAPH



Maximum Candela = 756.87  
Located At Horizontal Angle= 9,0, Vertical Angle= 5  
#1 - Vertical Plane Through Horizontal Angles (90 - 270) (Through Max. Cd.)  
#2 - Horizontal Cone Through Vertical Angle (5) (Through Max. Cd.)

### CHARACTERISTICS

Lumens Per Lamp	N.A. (absolute)
Total Lamp Lumens	N.A. (absolute)
Luminaire Lumens	2111
Total Luminaire Efficiency	N.A.
Luminaire Efficacy Rating (LER)	87
Total Luminaire Watts	24.15
Ballast Factor	1.00
CIE Type	Direct
Spacing Criterion (0-180)	1.26
Spacing Criterion (90-270)	1.26
Spacing Criterion (Diagonal)	1.38
Basic Luminous Shape	Rectangular
Luminous Length (0-180)	2.15 ft
Luminous Width (90-270)	2.13 ft
Luminous Height	0.00 ft

### LUMINANCE DATA (cd/sq.m)

Angle in Degrees	Average 0-Deg	Average 45-Deg	Average 90-Deg
45	1632	1640	1624
55	1527	1524	1513
65	1414	1417	1409
75	1235	1231	1228
85	1010	989	975

### Warranty Information

Limited Warranty: Elevecture LLC warrants that any illuminated product sold by Elevecture to be free from defects in material workmanship for a period of three (3) years from the "Original Ship Date" by the "Original Purchaser". The Original Purchaser is designated as the person, firm or entity responsible for payment to Elevecture as indicated on the invoice supplied to the Original Purchaser from Elevecture. During the warranty period, if the product fails to perform as intended by Elevecture, Elevecture's entire liability will be the repair of the defective product(s). If it is deemed by Elevecture that the product is irreparable then a replacement will be provided. Elevecture will not be responsible for any incurred costs as a result of shipping defective products(s) to Elevecture for repair or replacement. The above warranty does not apply to, and Elevecture makes no warranties with respect to products which have been subjected to misuse, neglect, accident, abuse, or operating in any conditions that deviate from the parameters established in applicable specifications; or have been improperly installed, stored, maintained, repaired or altered by anyone other than Elevecture. This warranty does not apply to fixtures which were damaged by water or any other liquids. This warranty is given only to the Original Purchaser and may not be assigned or transferred to any other party. It is the Original Purchaser's obligation to retain documentation that indicates the Original Purchase Date.

Note: The information provided in this Data Sheet is accurate to the best of Elevecture's knowledge at the time of printing. Elevecture reserves the right to make changes when necessary without further notification. Suggested applications may be modified to conform to local building codes and conditions. We cannot accept responsibility for products that are not used or installed to our specifications.

## Order Form

Company Name: \_\_\_\_\_

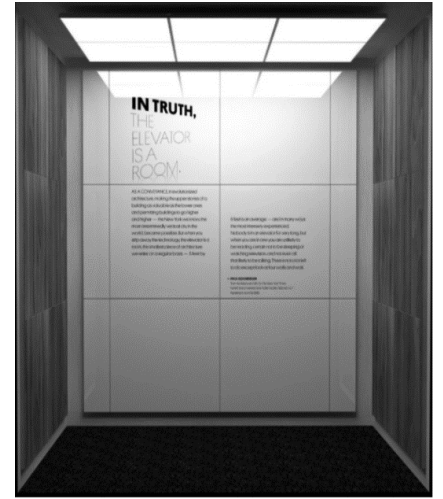
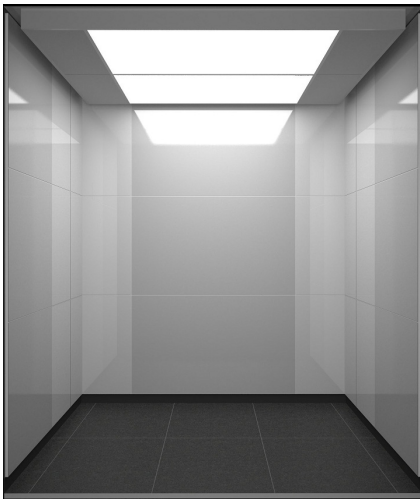
Project Reference: \_\_\_\_\_

Project Location: \_\_\_\_\_

Date: \_\_\_\_\_ Contact Email: \_\_\_\_\_

### Standard Size Kit Ordering

\* Ceiling by others



#### **2 Panel System**

- Includes:
- (2) 25" X 45"
  - (1) Power Module W. Dimmer
  - (1) Emergency Module

#### **4 Panel System**

- Includes:
- (4) 25" X 45"
  - (1) Power Module W. Dimmer
  - (1) Emergency Module

#### **6 Panel System**

- Includes:
- (6) 25" X 45"
  - (1) Power Module W. Dimmer
  - (1) Emergency Module

Quantity Order: \_\_\_\_\_

Quantity Order: \_\_\_\_\_

Quantity Order: \_\_\_\_\_

Color Temperature: \_\_\_\_\_

Color Temperature : \_\_\_\_\_

Color Temperature : \_\_\_\_\_

With Corning® Gorilla® Glass

With Corning® Gorilla® Glass

With Corning® Gorilla® Glass

### Custom Size Ordering

\* Ceiling by others

Part Number: Please provide Quantity Per Size QTY: \_\_\_\_\_

ECS – LP - \_\_\_\_\_  
Width (inches)
Length (inches)
Color Temp

Include Corning® Gorilla® Glass

30 = 3000K  
 35 = 3500K  
 40 = 4000K  
 RG = RGB

Power Module  Emergency Module